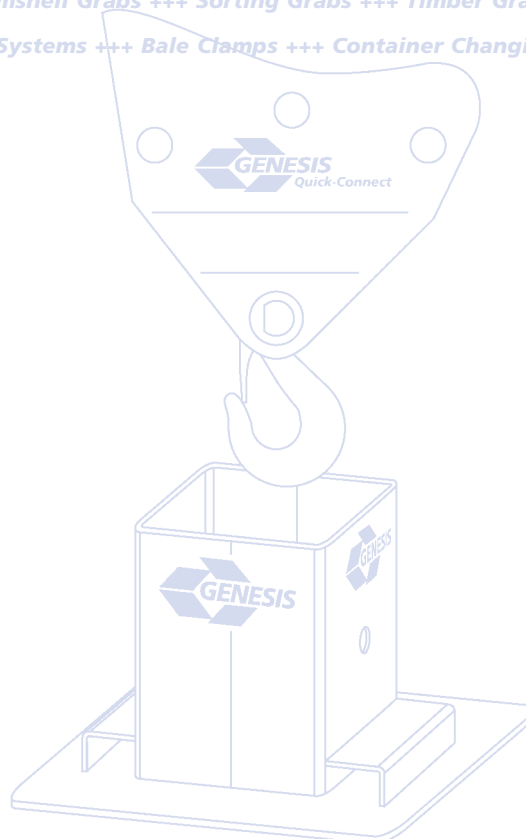


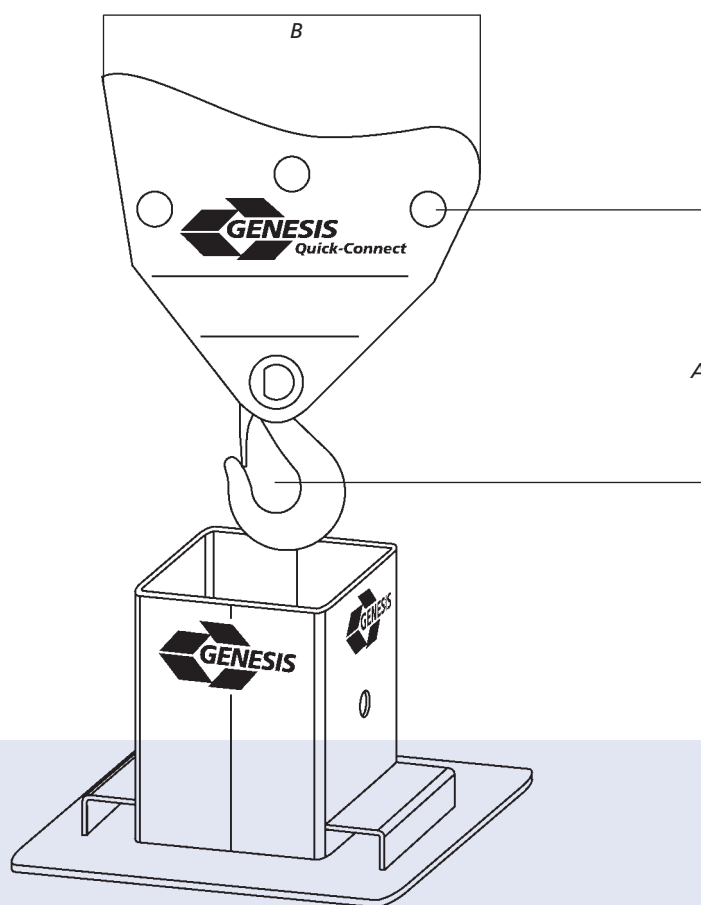


*Scrap Shears +++ Demolition Shears +++ Alligator Shears +++ Railbreaker +++ Hydraulic Quick-Coupling Systems +++ Polyp Grabs +++ Clamshell Grabs +++ Sorting Grabs +++ Timber Grabs +++ Magnet Plates +++ Hydraulic Magnet Plates +++ Vacuum Lifting Systems +++ Bale Clamps +++ Container Changing Systems +++ Beam Systems +++ **Lifting Hooks** +++*



### **Strong arguments!**

- Quick coupling adapter frame for GENESIS Quick-Connect
- Because it is fitted directly onto the GENESIS Quick-Connect, the load hook can rotate continuously through 360°
- Includes storage stand with fork-lift pockets for safe storage and easy mobility



04/2005

Model	Capacity max.*	Dimensions in mm		Weight of storage stand
		A	B	
GLH-QC 10	10 t	475	660	ca. 118 kg
GLH-QC 20	20 t	475	660	ca. 149 kg

**\* Please observe maximum loading of the rotating motor!**